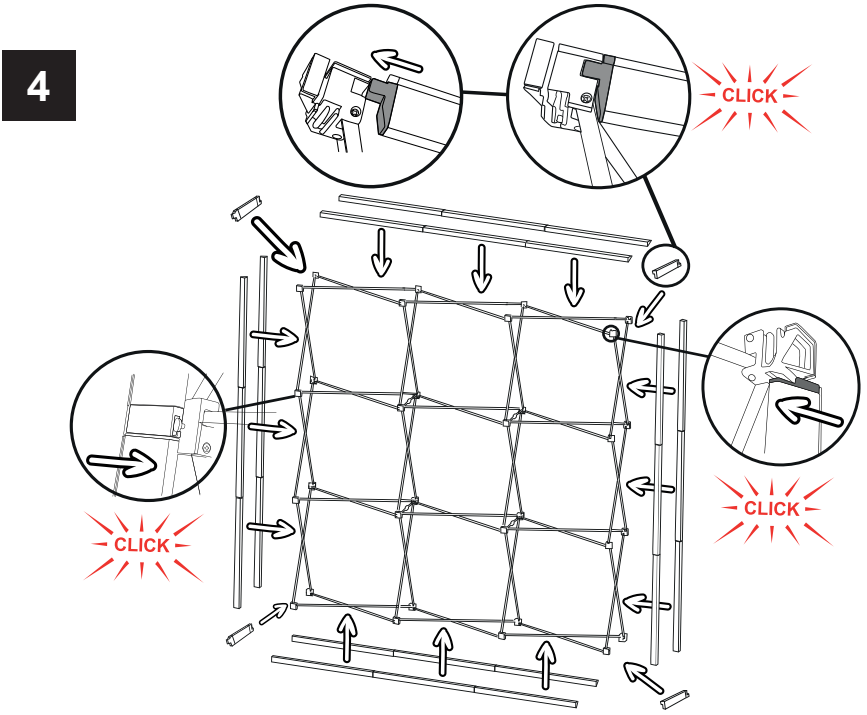
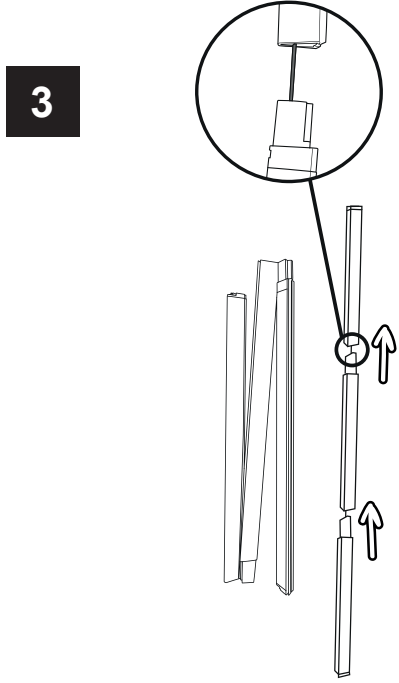
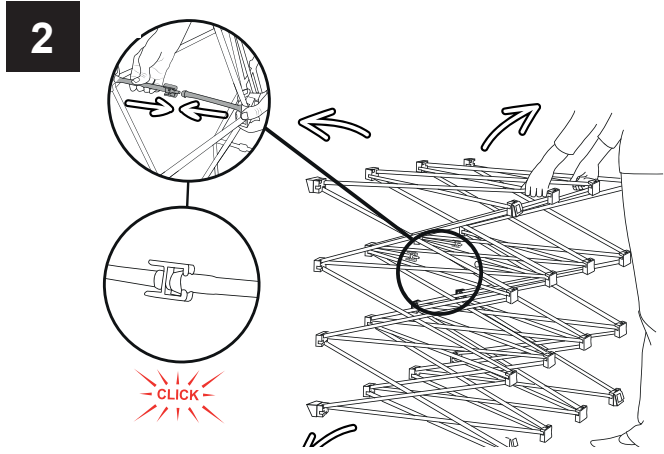
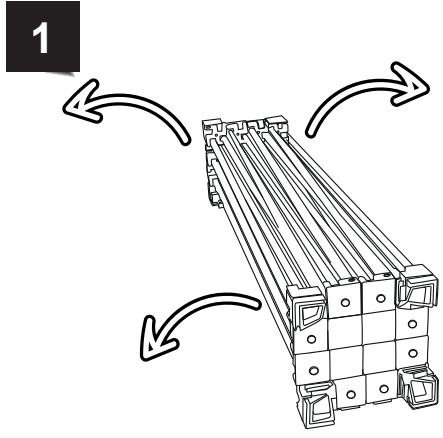


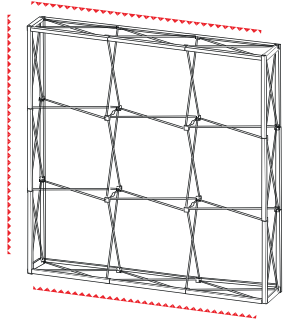
Backwalls EMBRACE+



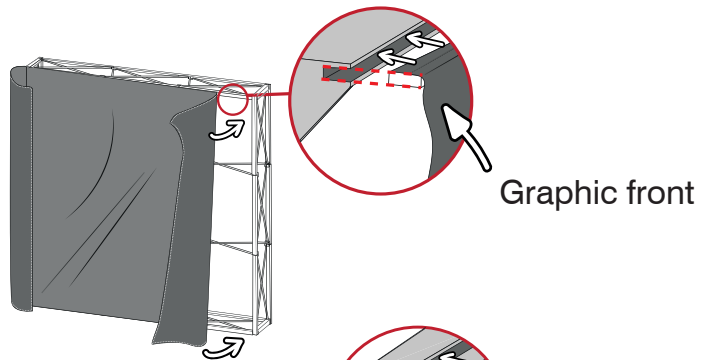
Backwalls EMBRACE+



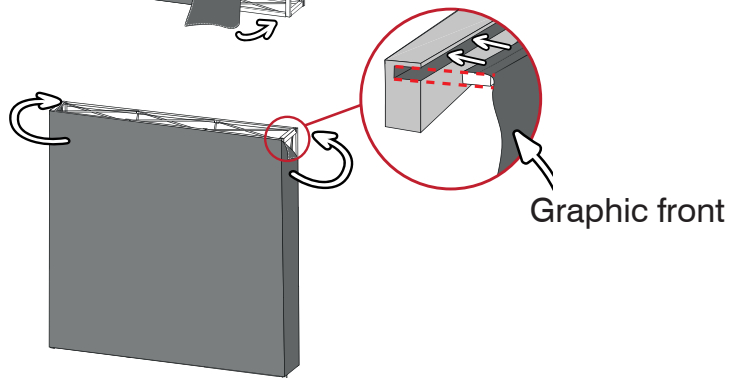
Attaching graphics

1

Locate the Silicon Edge Gasket into the appropriate channel

2

Graphic front

3

Graphic front