

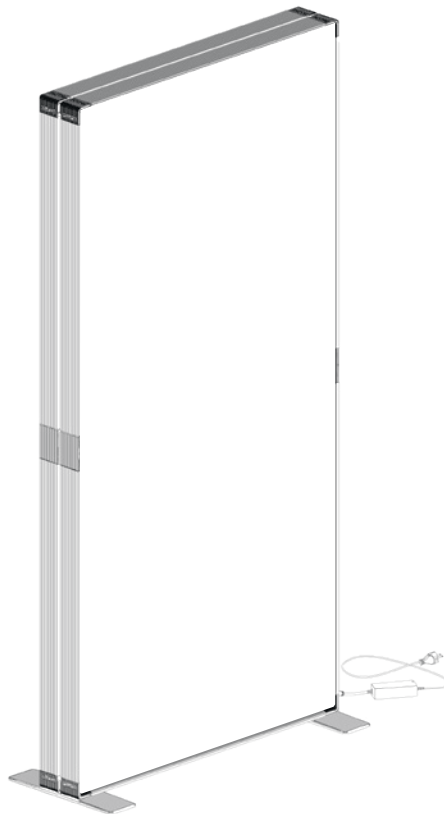
**156008**



**PIXLIP®**

# **GO LIGHTBOX 085250**

**Aufbauanleitung**  
User manual



**PIXLIP GO®**

[www.pixlipgo.com](http://www.pixlipgo.com)



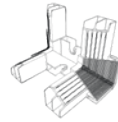
# KOMPONENTEN COMPONENTS



2×  
**Profil 750**  
Profile 750



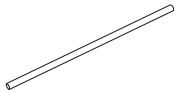
4×  
**Profil 1150**  
Profile 1150



4×  
**Eckverbinder**  
Corner connector



2×  
**Strebenhalter**  
Strut holder



1×  
**Strebe 750**  
Strut 750



2×  
**Fußplatte**  
Base plate



8×  
**Print Clip**  
Print clip



6×  
**Verschlusskappe**  
Cover cap



2×  
**Systemverbinder Top**  
System connector top



1×  
**Systemverbinder Step**  
System connector step



2×  
**LED Modul**  
LED Module



1×  
**Netzgerät**  
Power supply



1×  
**Y-Kabel**  
Y-cable

## OPTIONAL

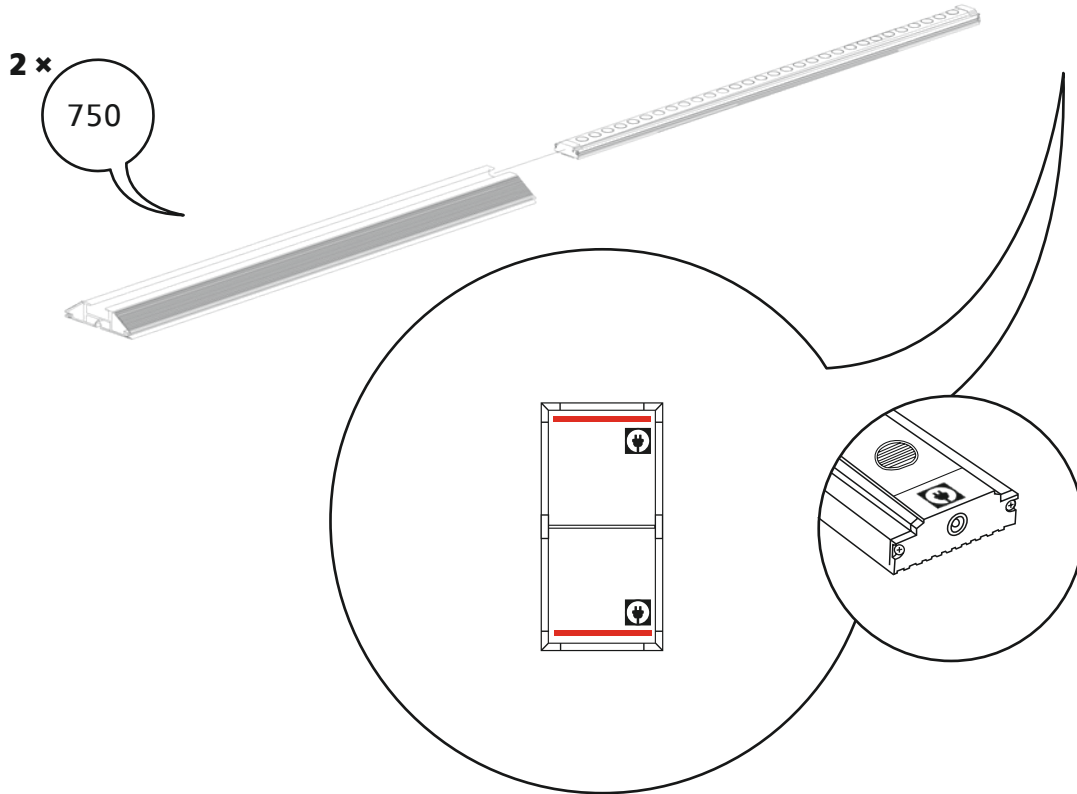


1×  
**Textil und Blockout**  
Textile and blockout

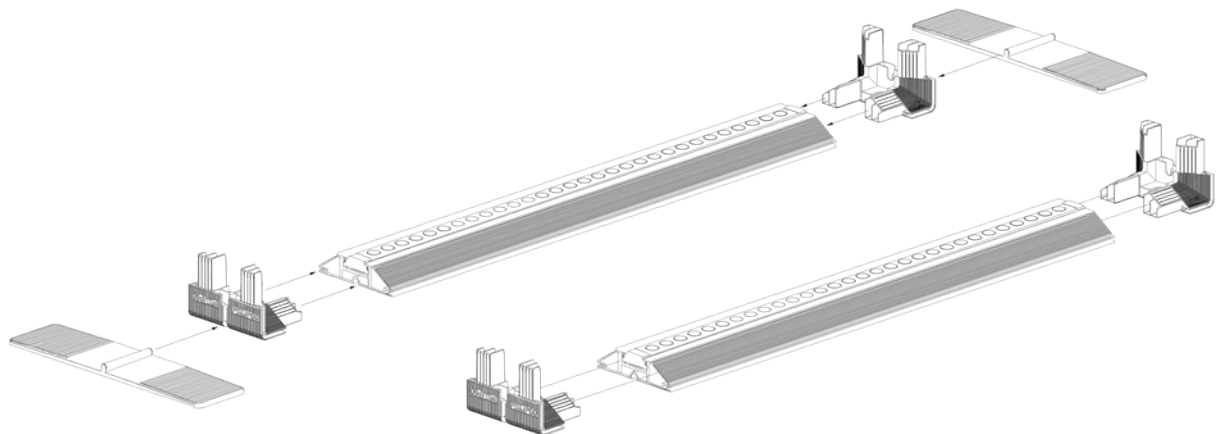


2×  
**Textil**  
Textile

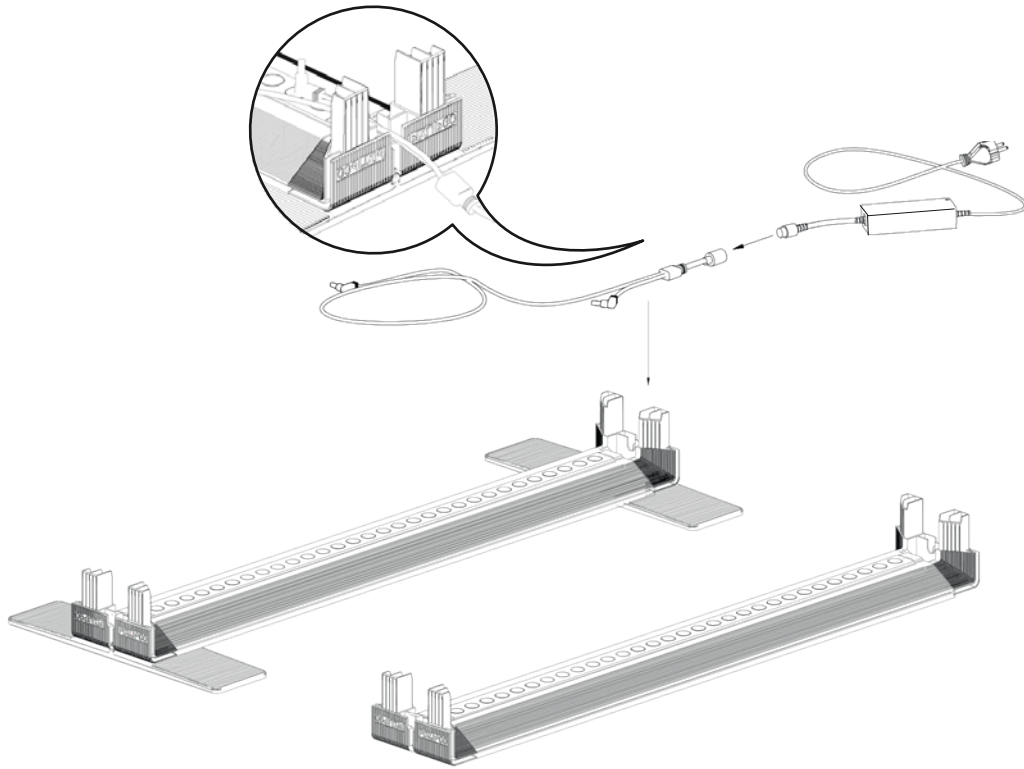
1



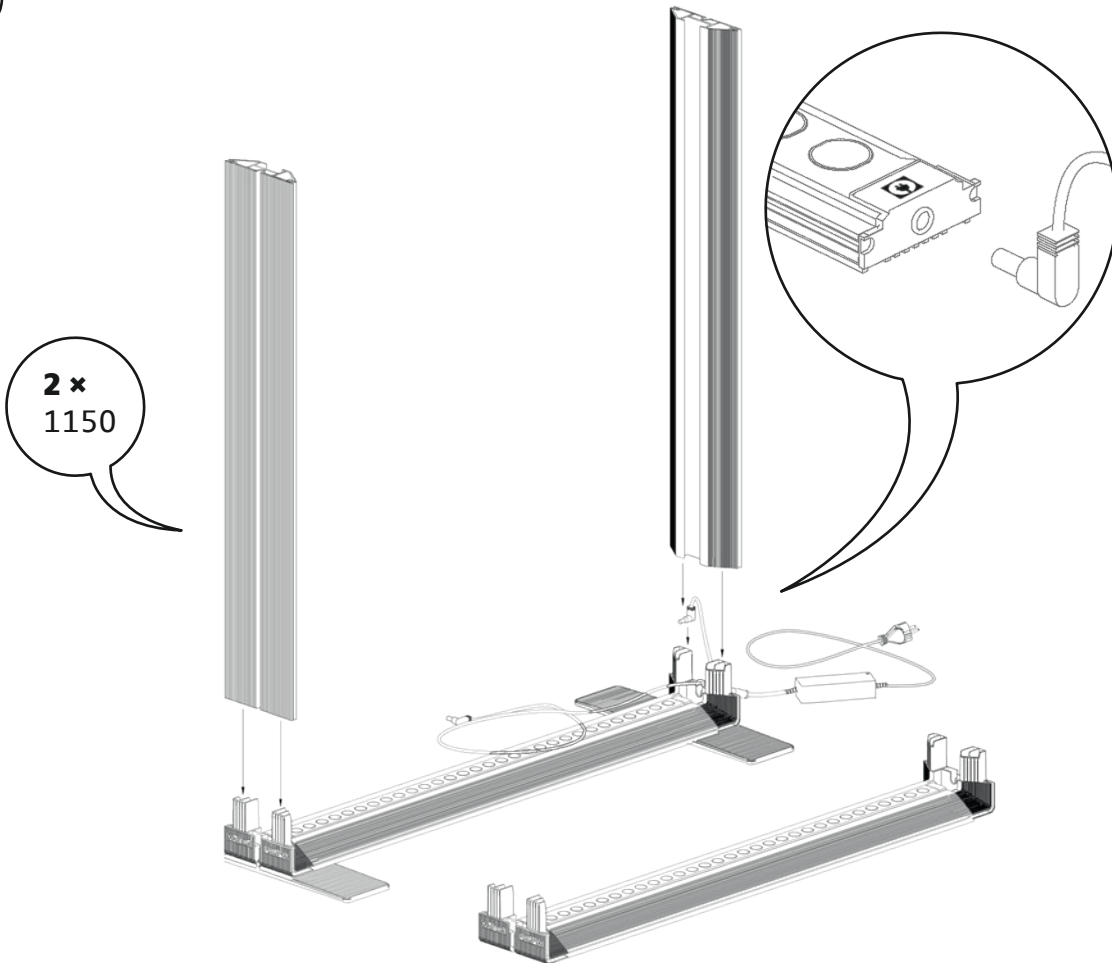
2



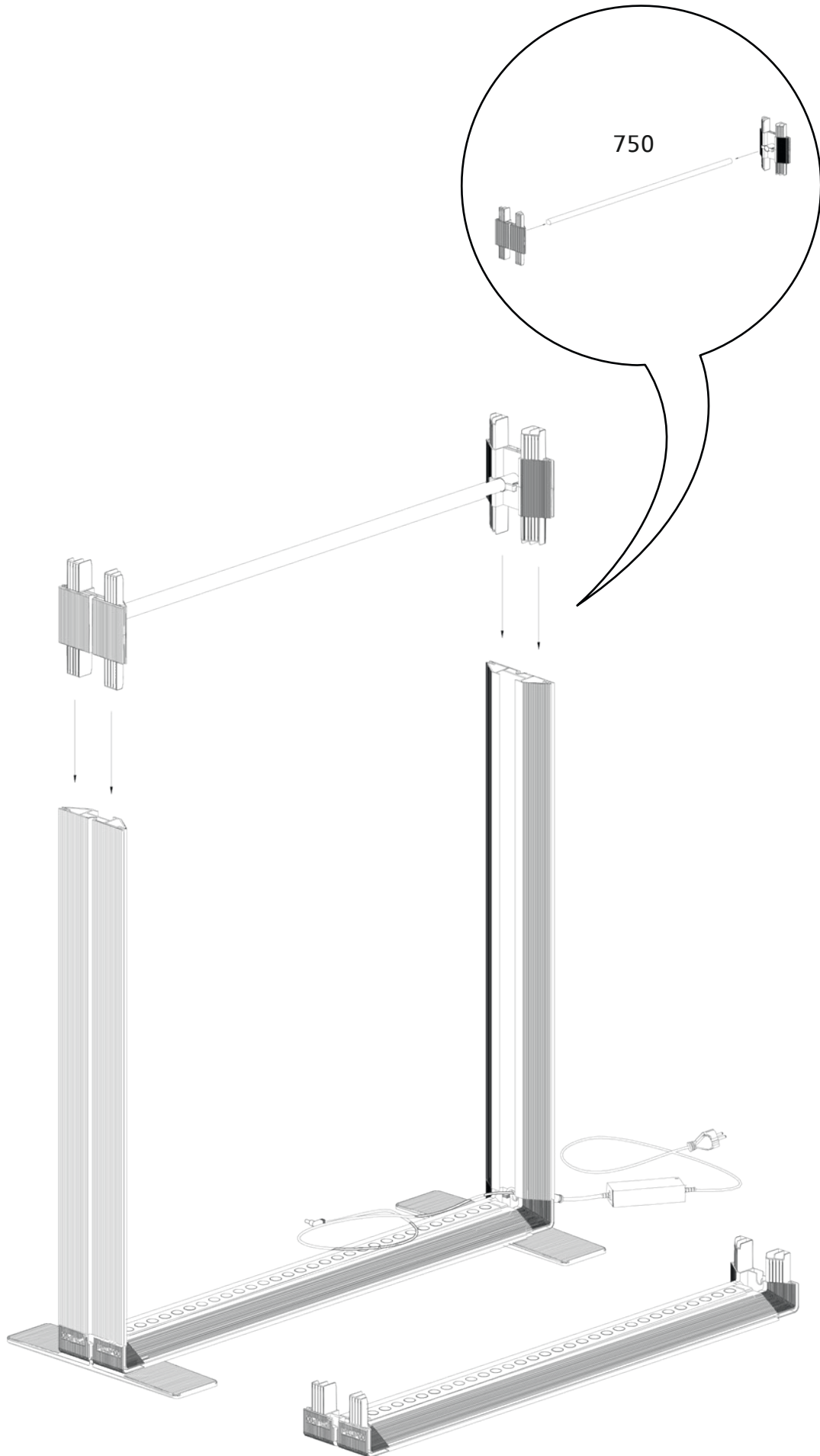
3



4

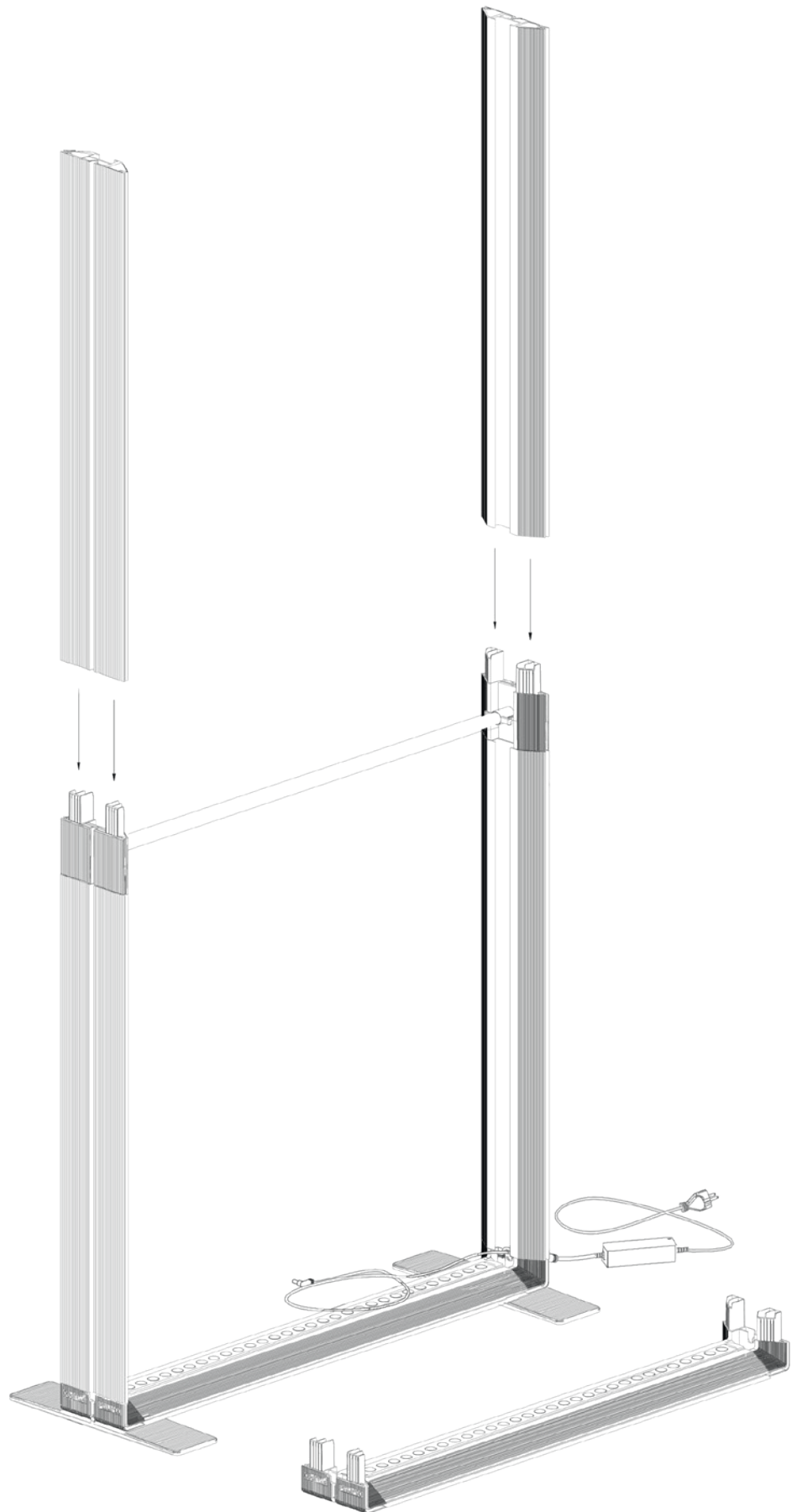


5

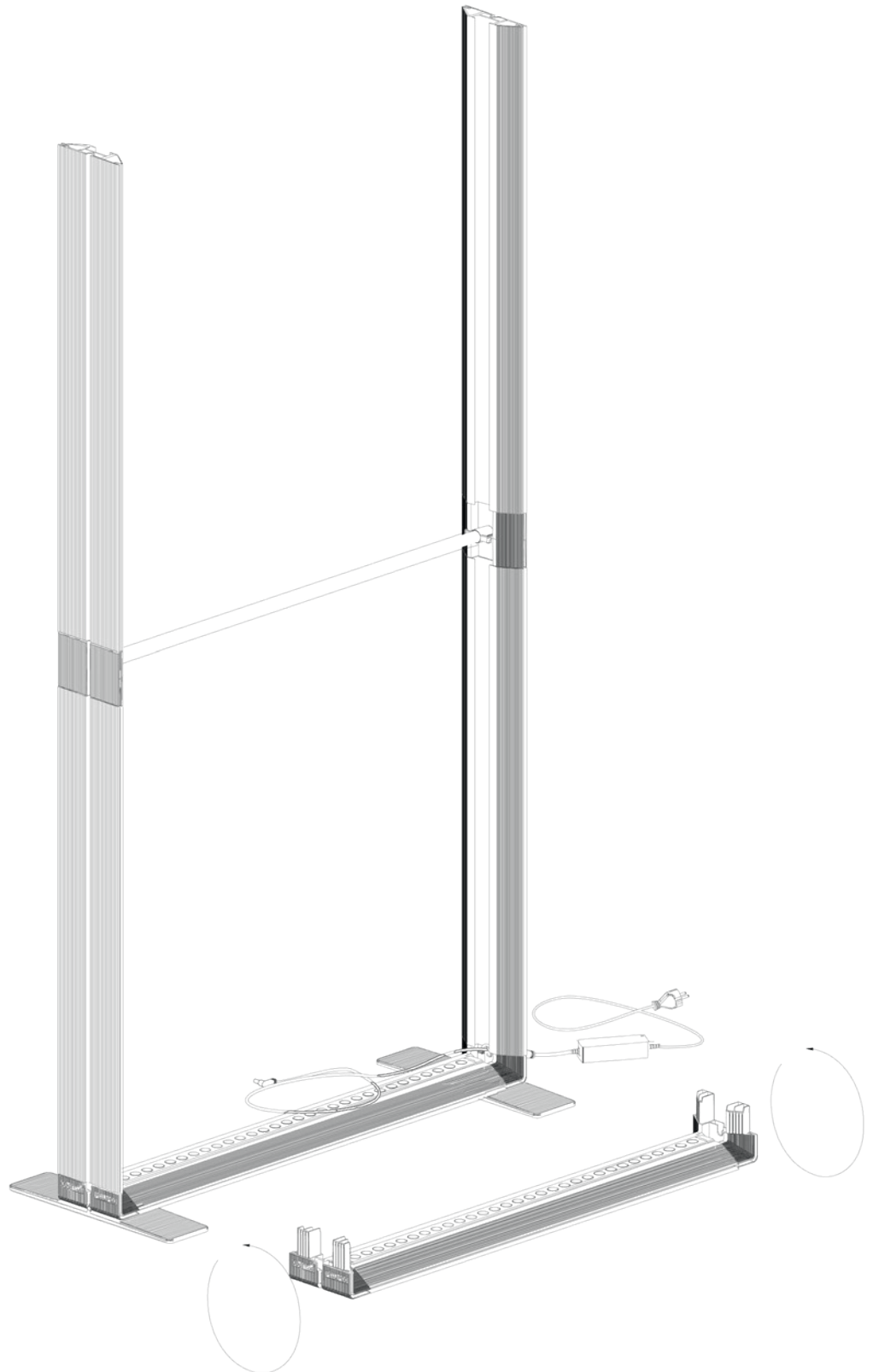


6

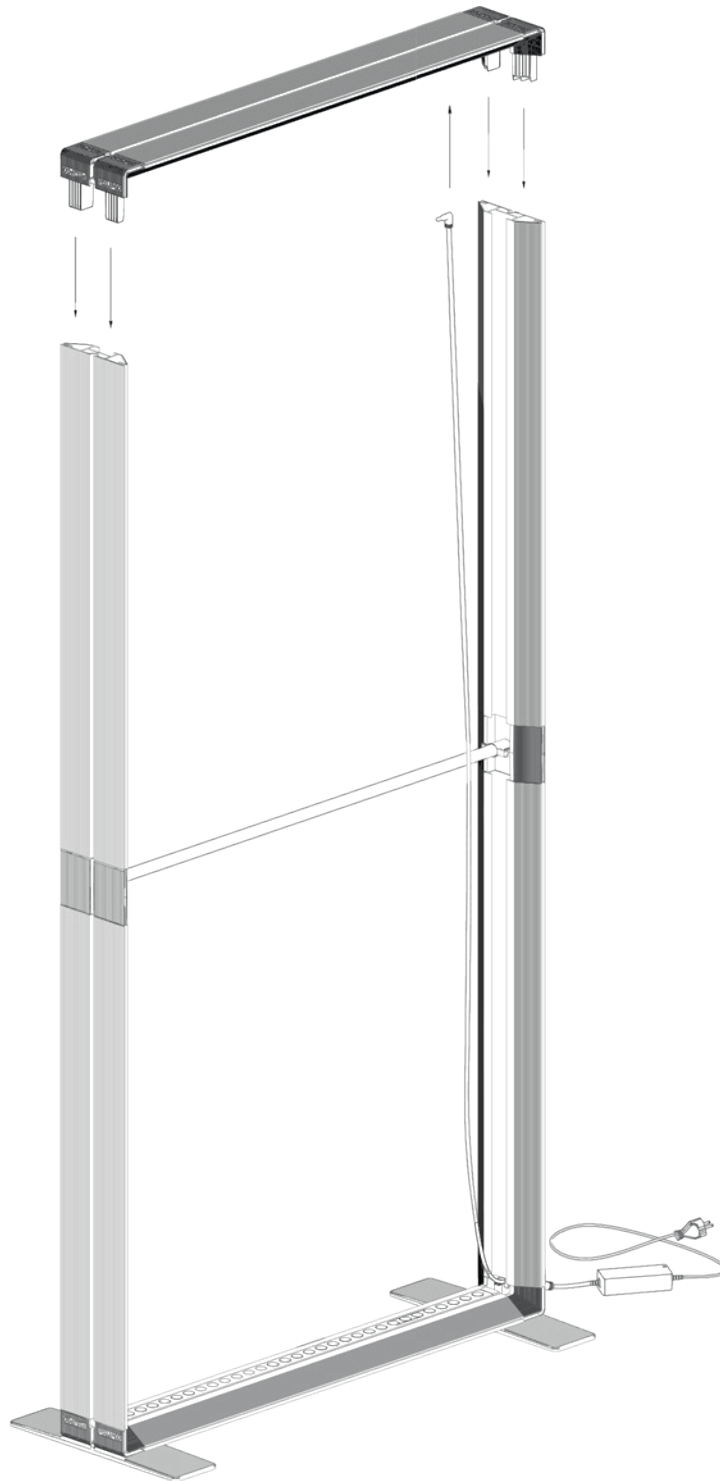
2 ×  
1150



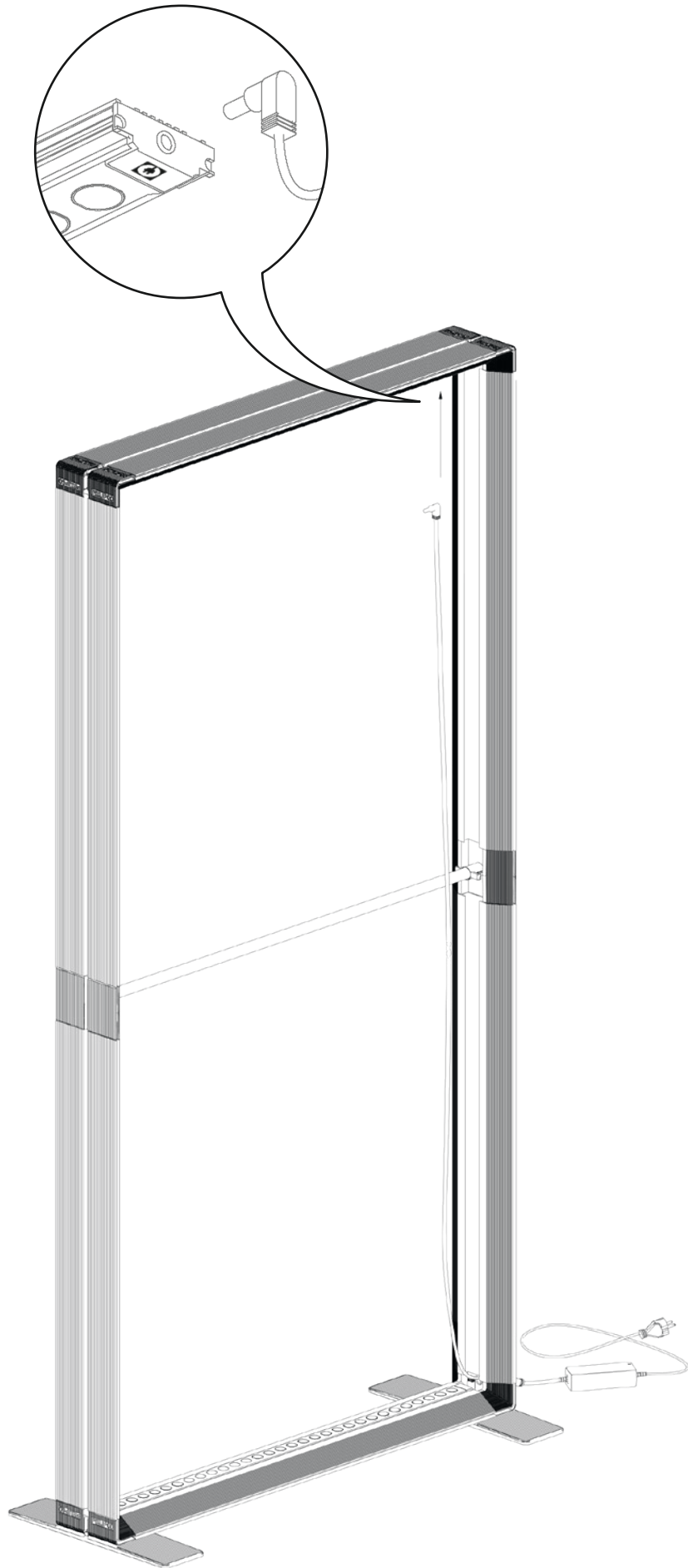
7

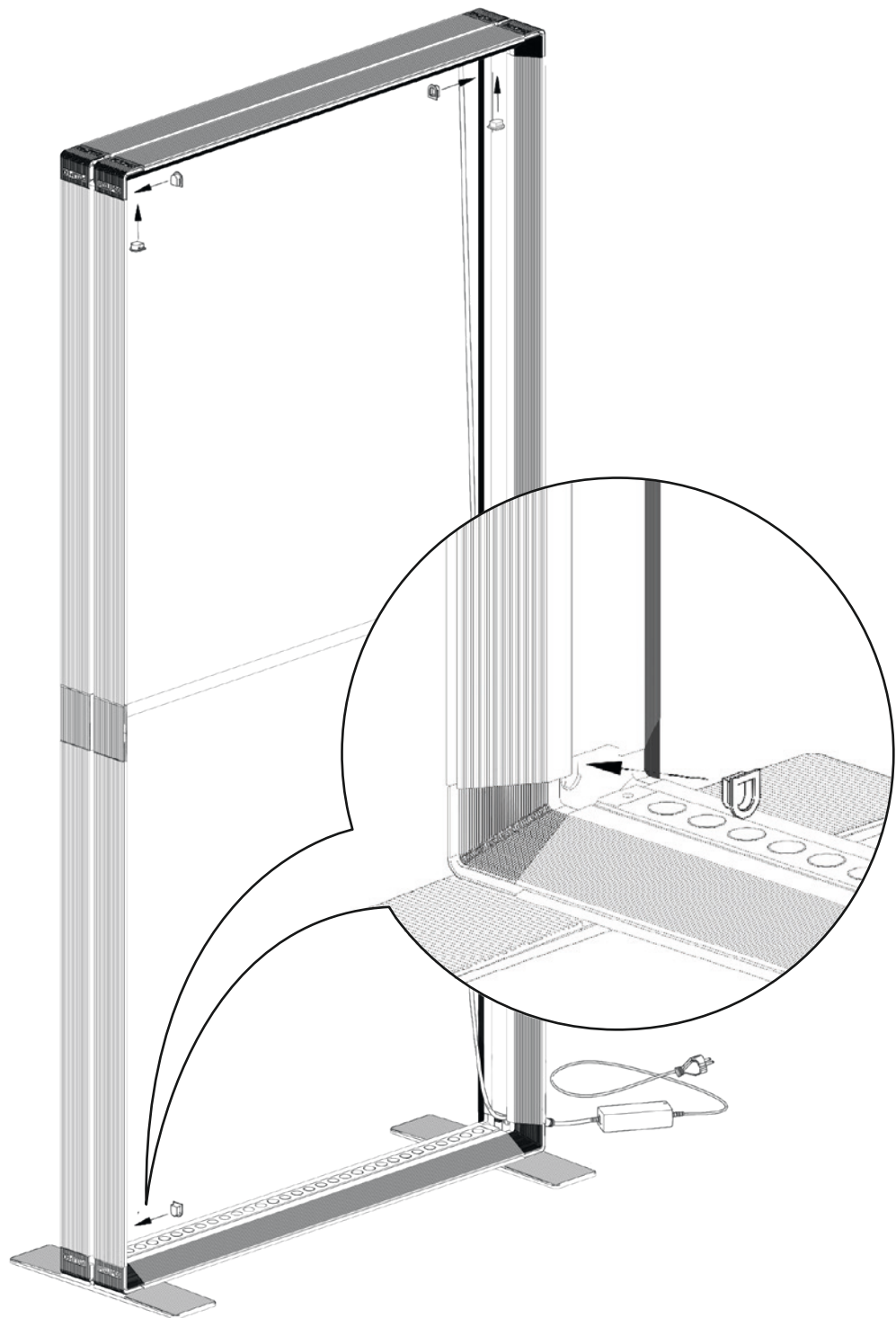




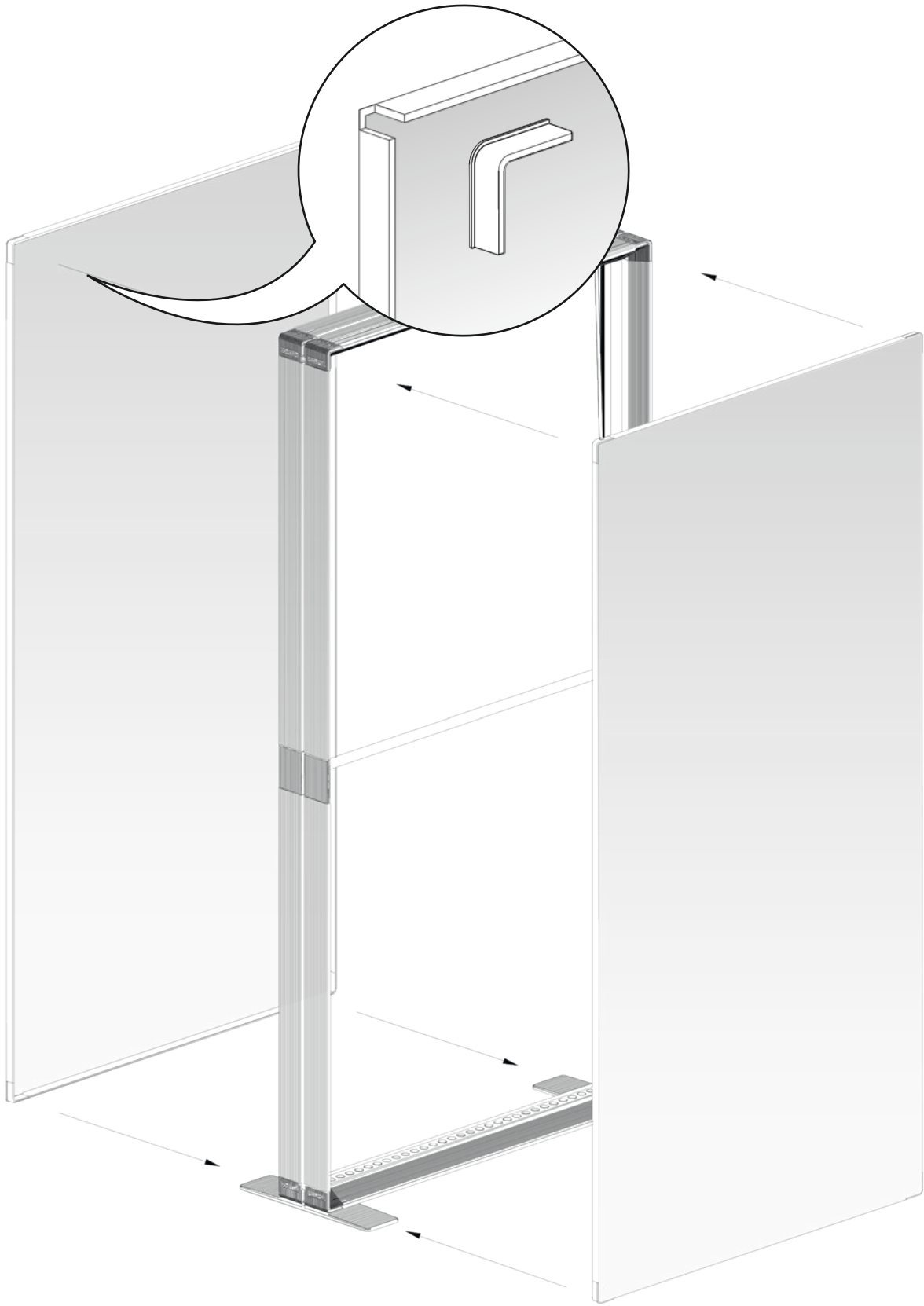


9





11





**OPTIONAL**





# PIXLIP<sup>®</sup>

**GO LIGHTBOX 085250**  
**AUFBAUANLEITUNG**  
USER MANUAL

© 2018

PIXLIP GmbH  
Raiffeisenstraße 17  
40764 Langenfeld  
Germany

[info@pixlip.com](mailto:info@pixlip.com)  
[www.pixlip.com](http://www.pixlip.com)  
[www.pixlipgo.com](http://www.pixlipgo.com)

[www.pixlipgo.com](http://www.pixlipgo.com)