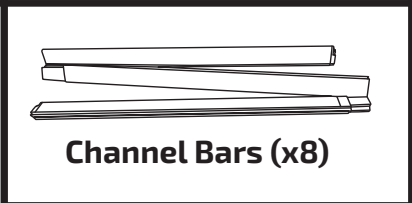
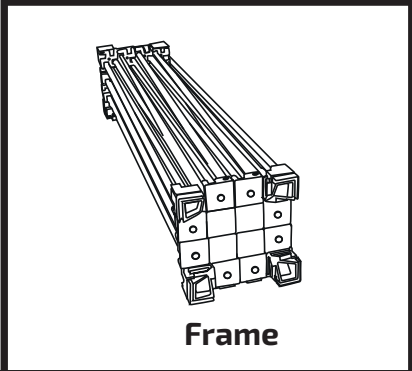




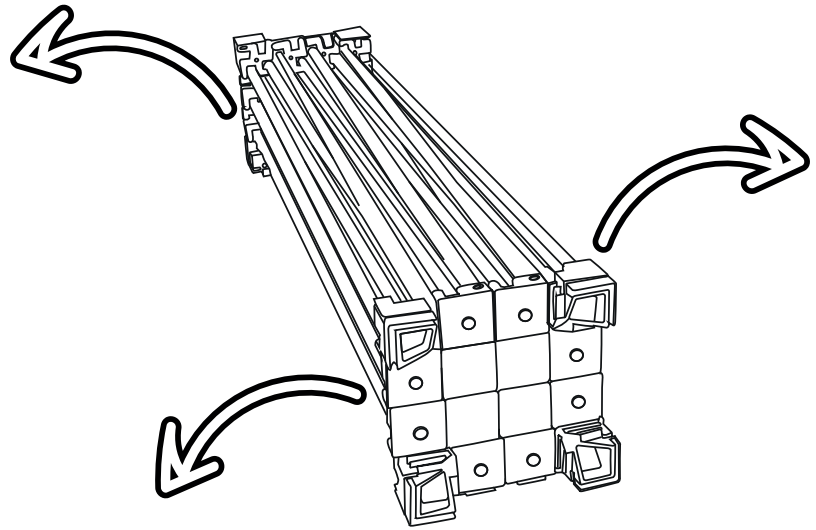
 **PARTS (NOT TO SCALE)**



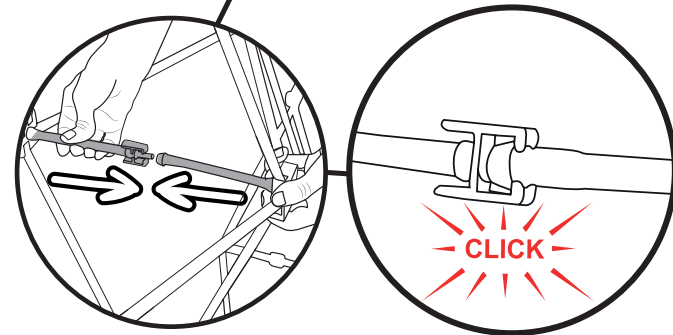
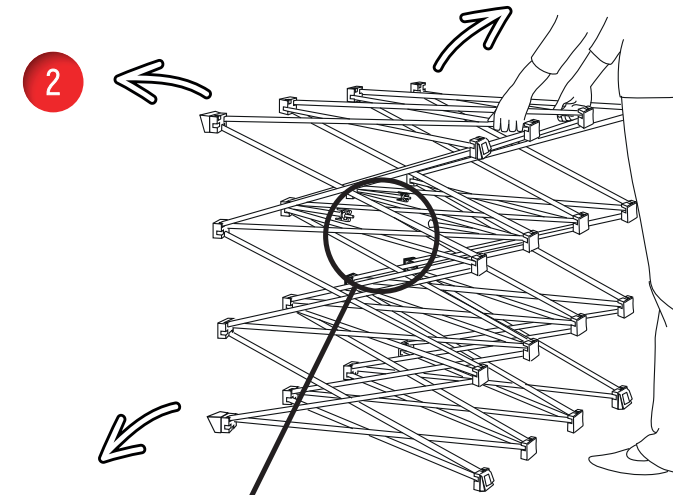
 **FOR ATTENTION**

INSTRUCTIONS BASED ON 3X3 FRAME

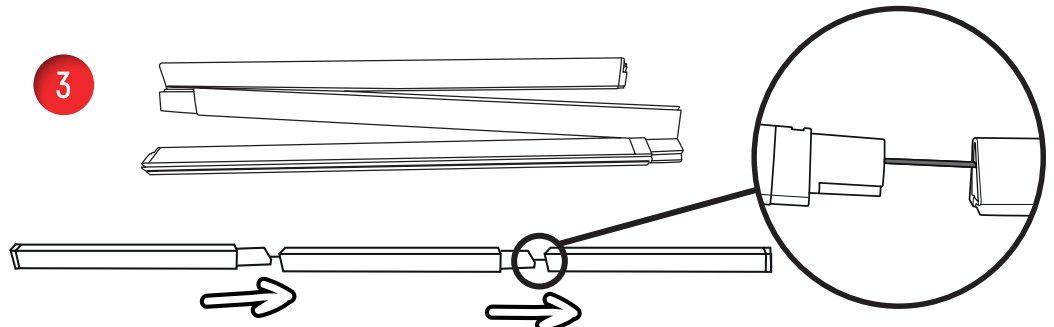
1

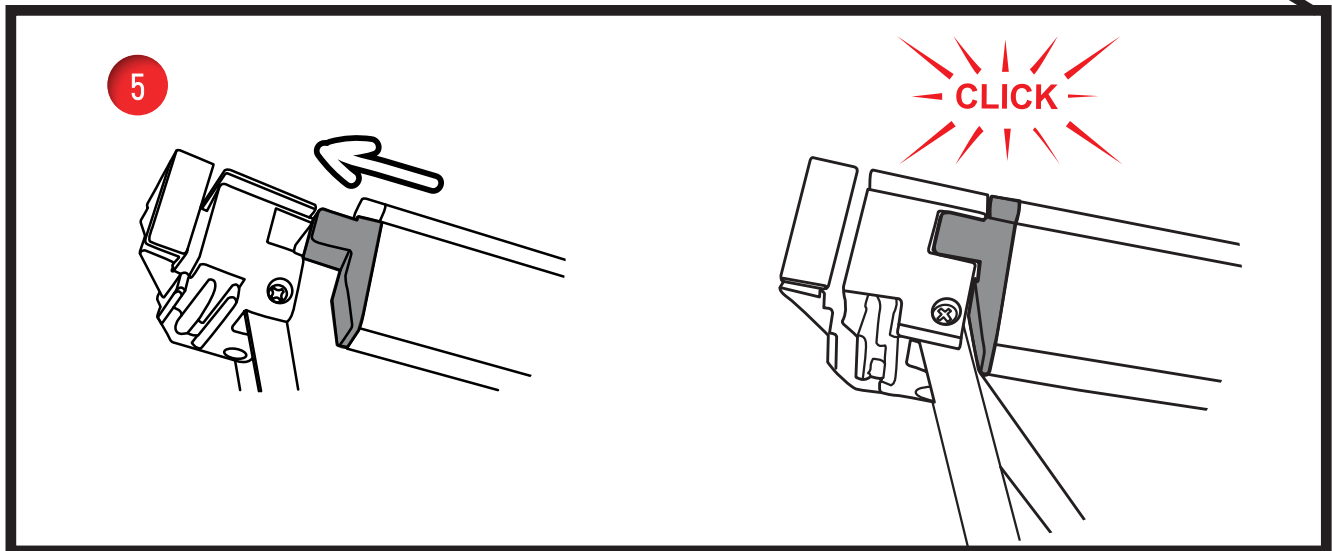
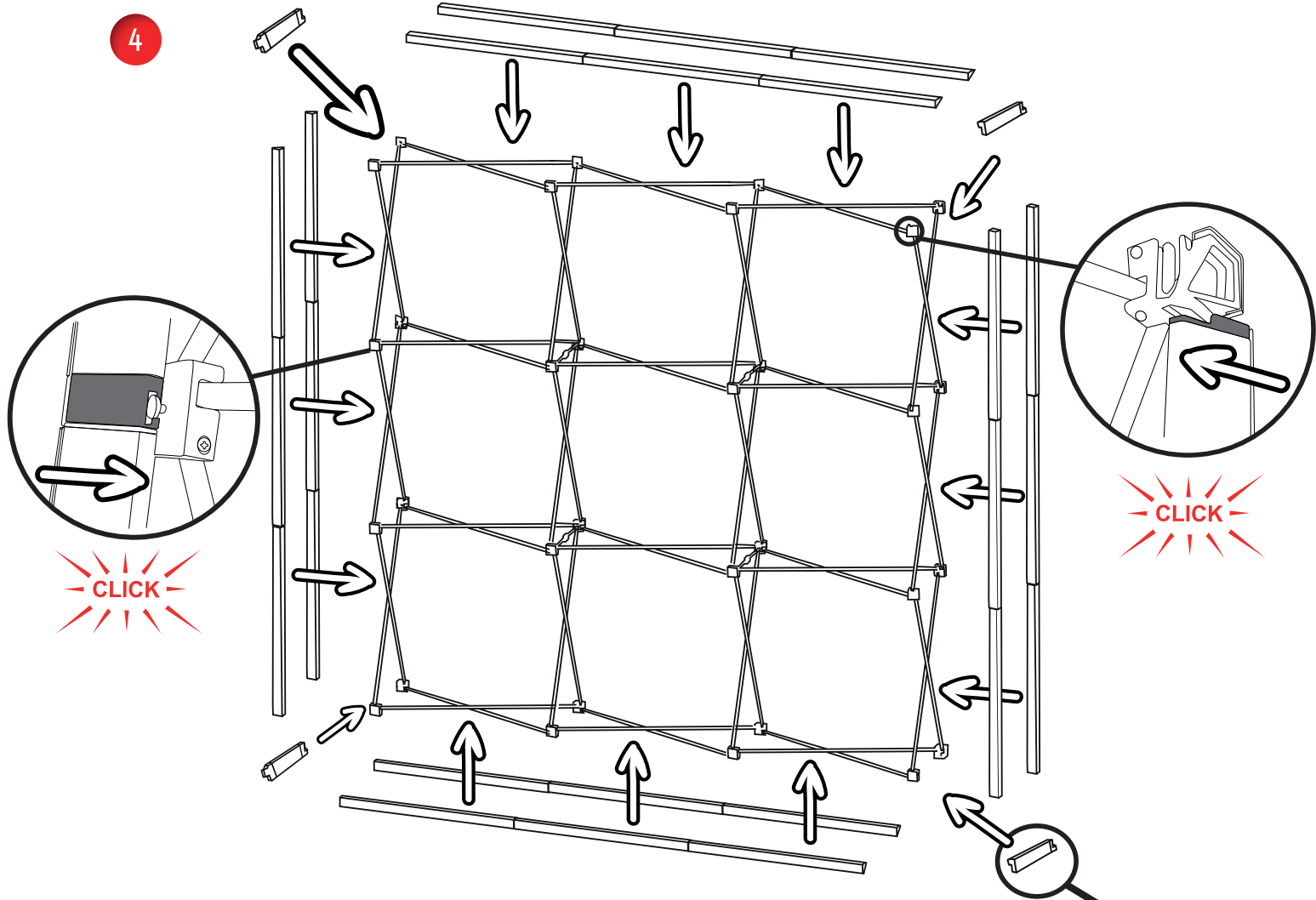


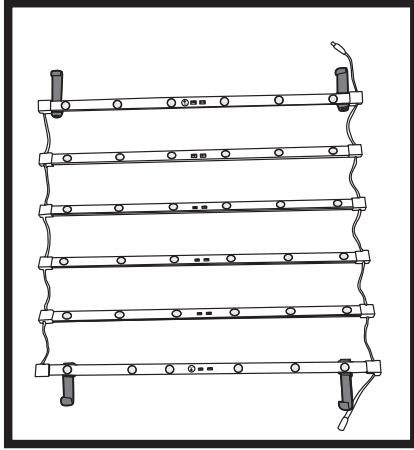
2



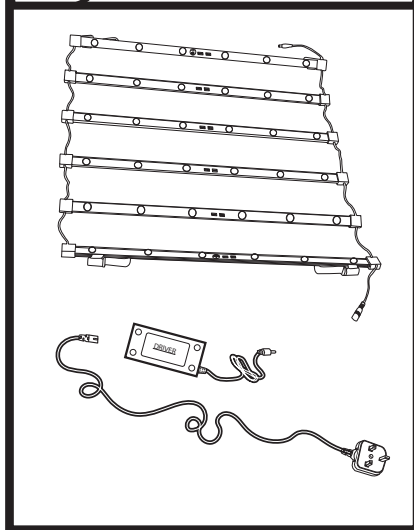
3







PARTS (NOT TO SCALE)

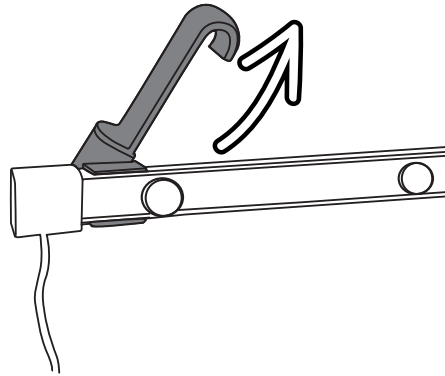


FOR ATTENTION

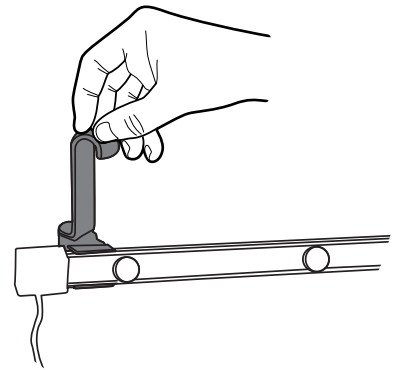
ENSURE ALL SOCKETS AND CONNECTORS ARE CORRECTLY FITTED BEFORE SUPPLYING POWER. MISUSE COULD RESULT IN DAMAGE TO THE LED LIGHTS

1

TWIST

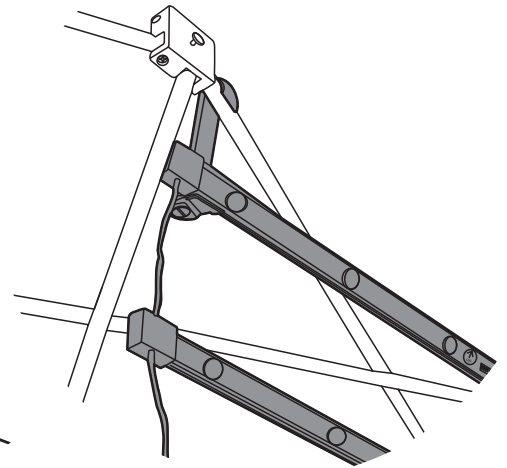
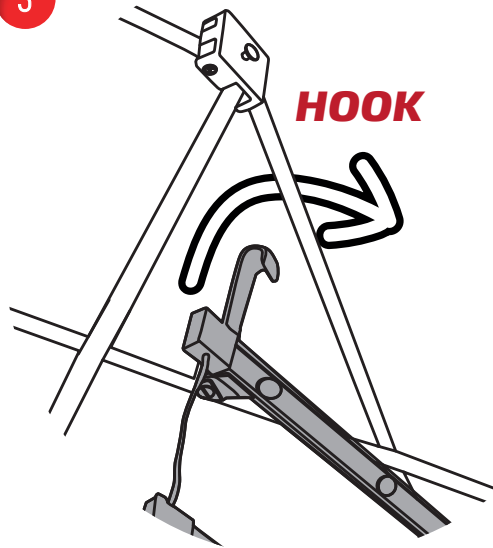


2



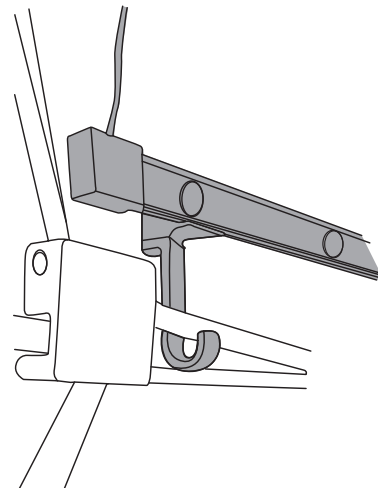
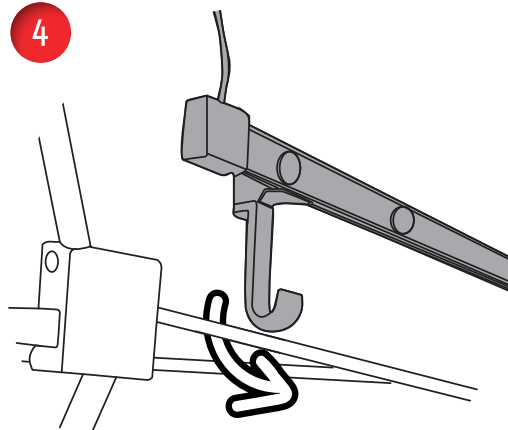
3

HOOK



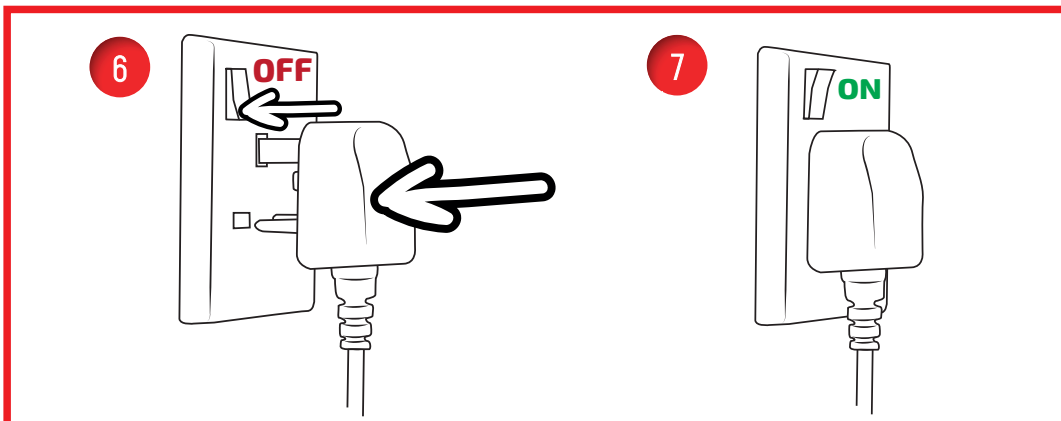
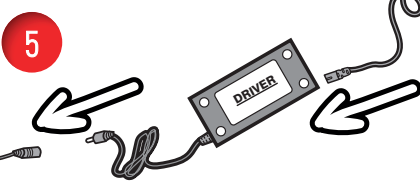
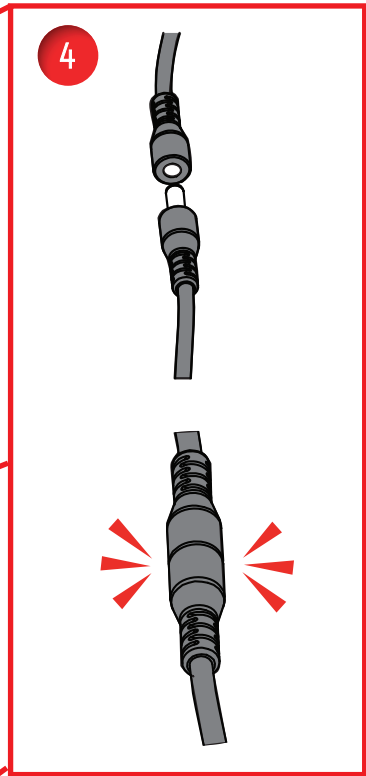
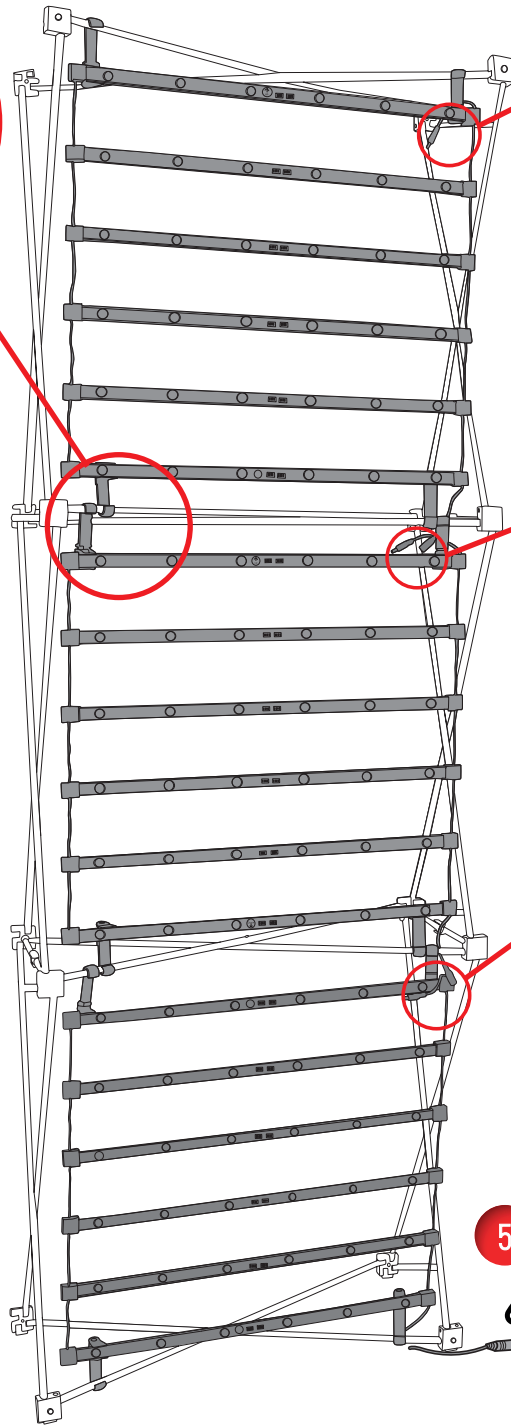
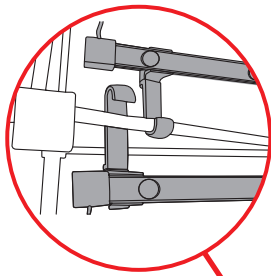
4

HOOK



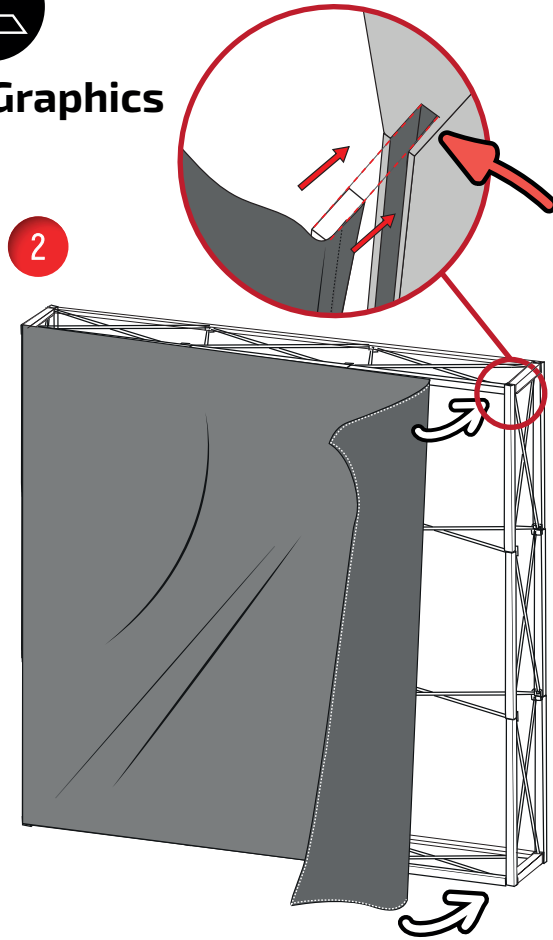
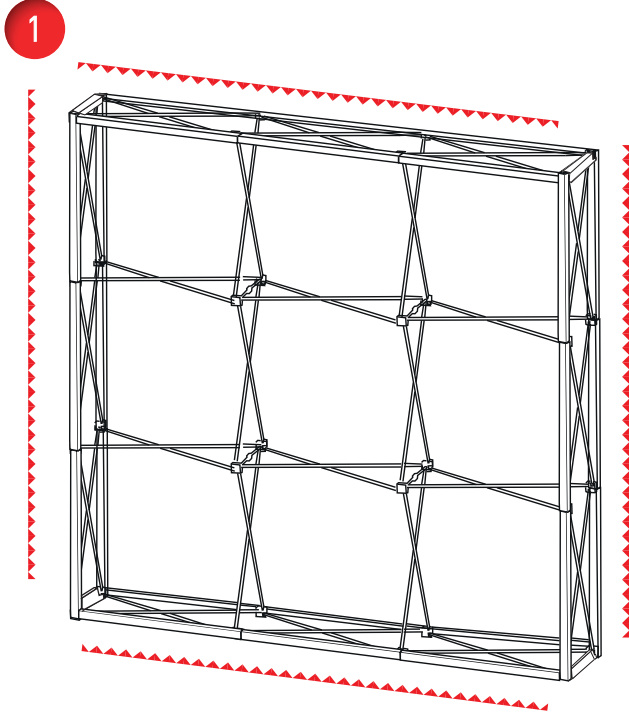
Embrace Accessory Embrace LED Curtains

Feb 2019





Attaching Graphics



NOTE: Locate the Silicon Edge Gasket into the appropriate channel

