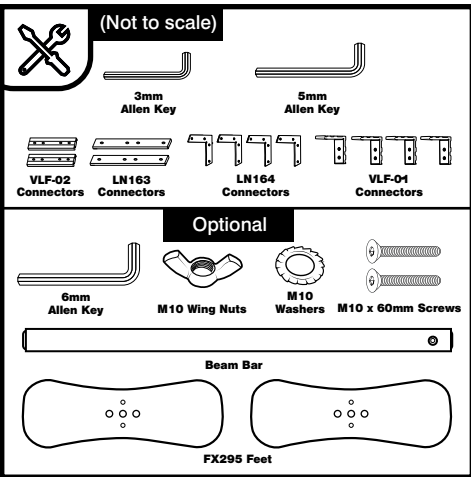
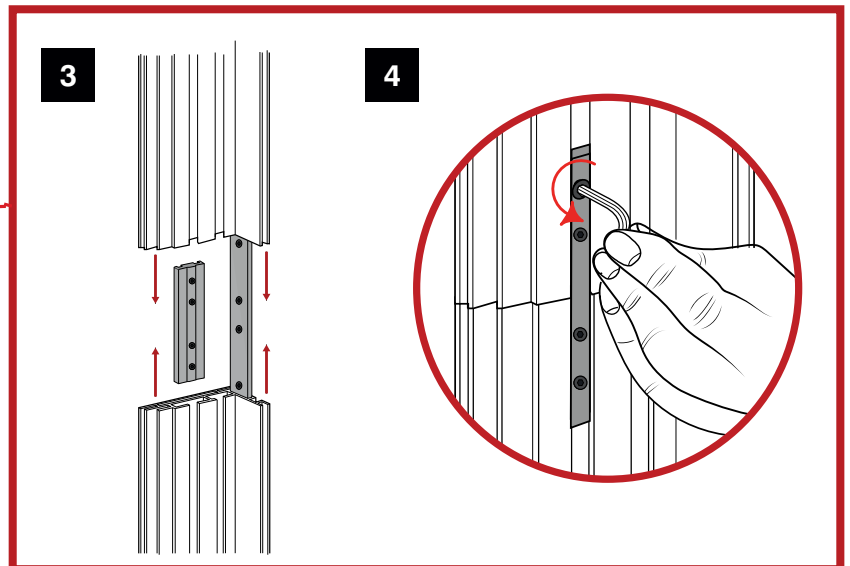
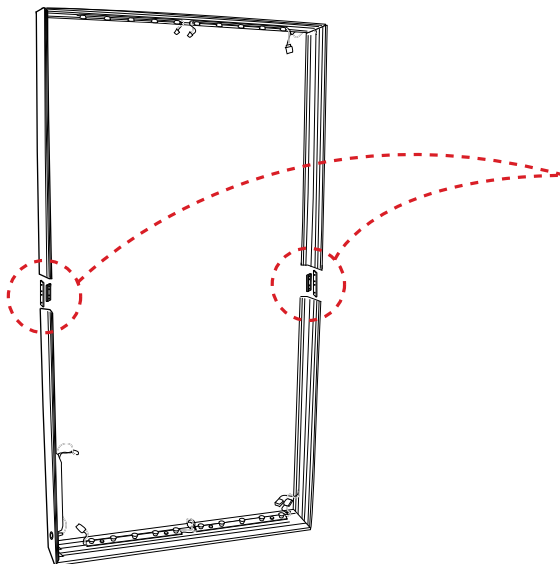
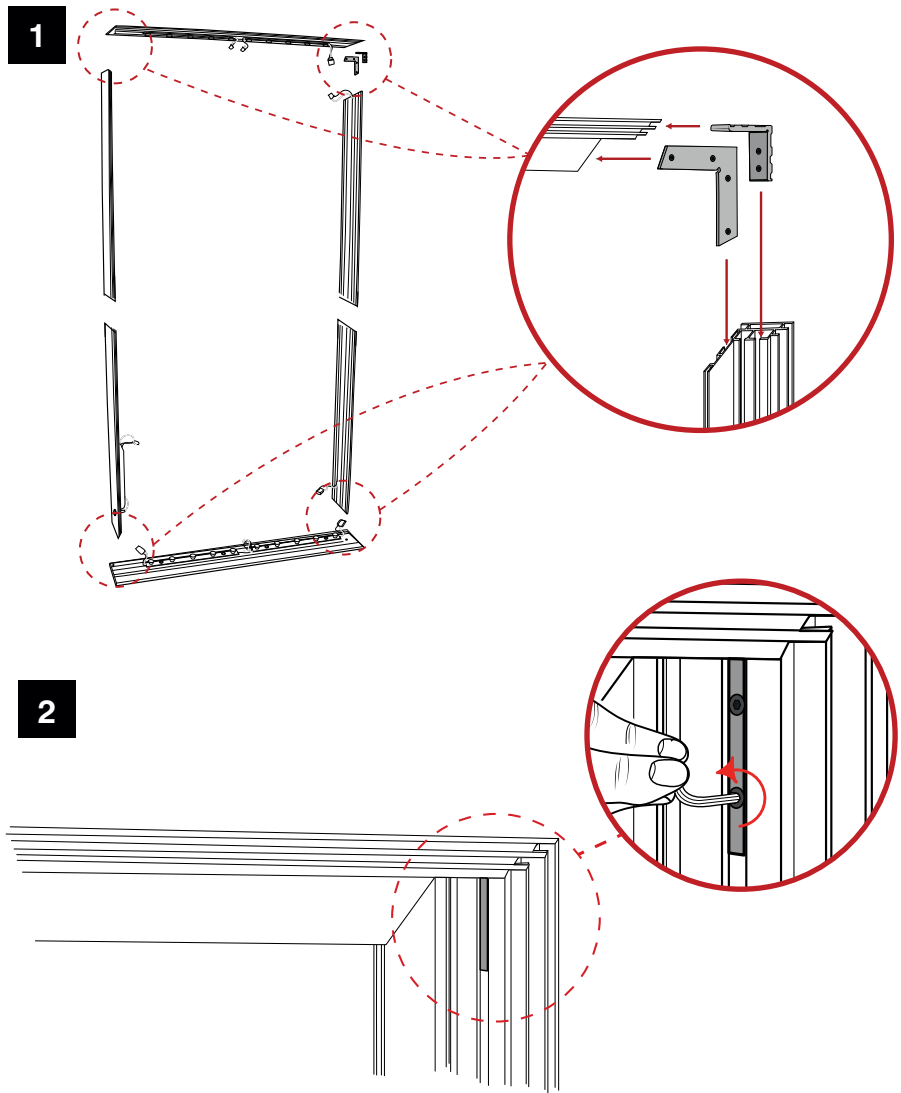


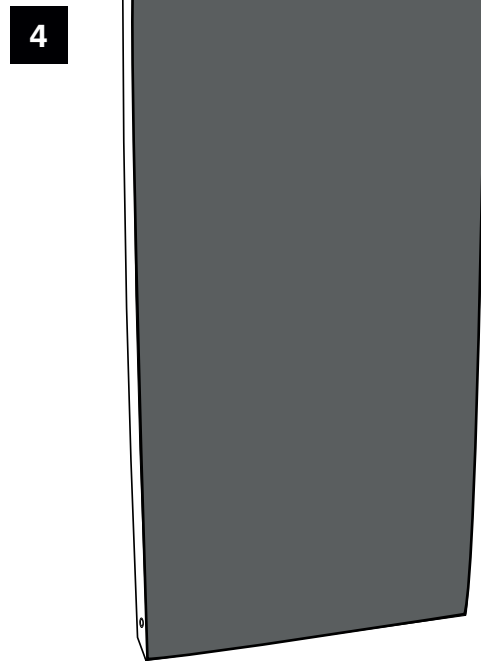
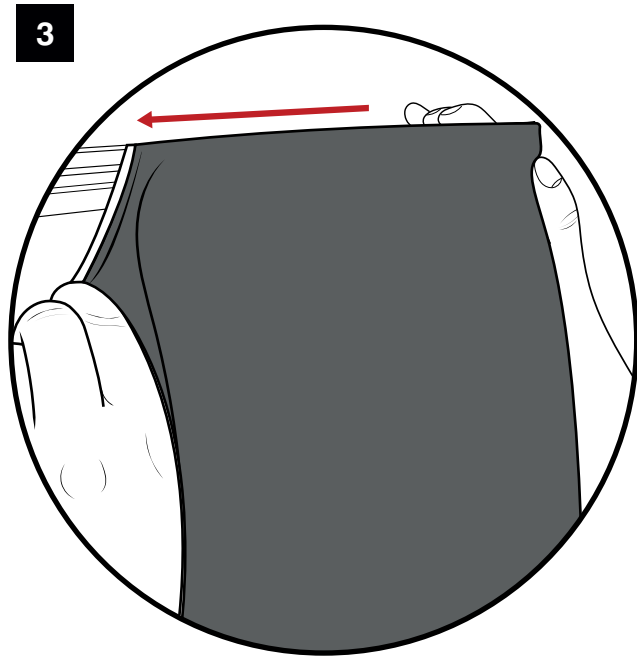
# Instructions

## 75mm LED Lightbox

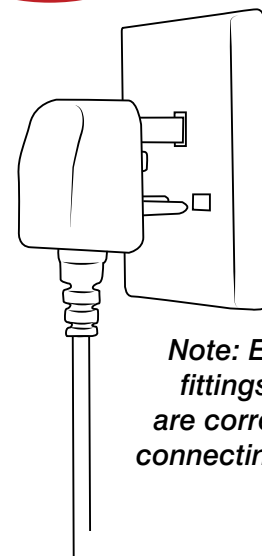
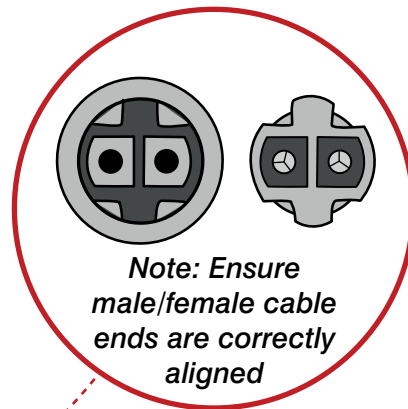
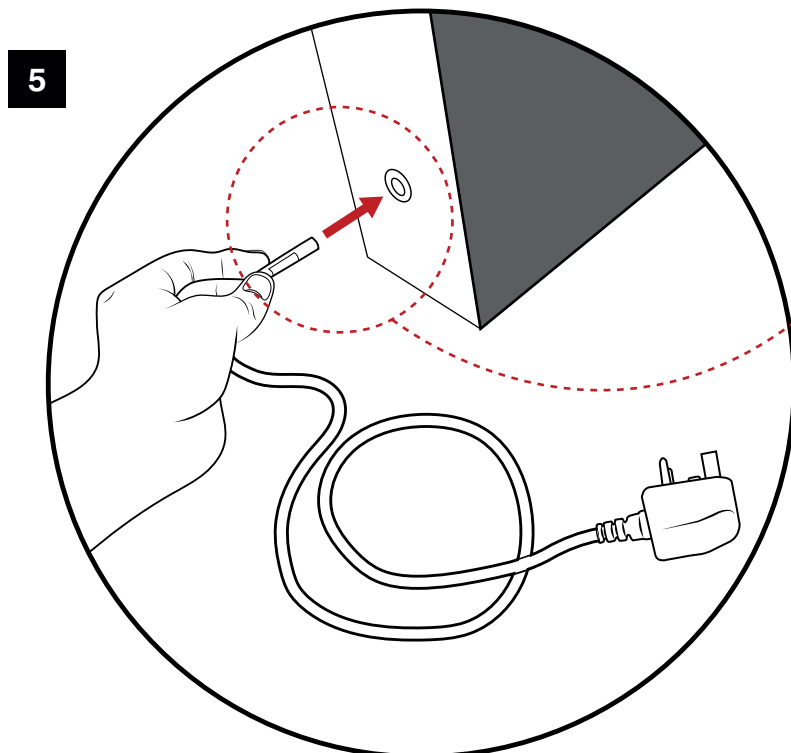


**⚠️ DOUBLE CHECK ALL SOCKETS AND CONNECTIONS BEFORE SUPPLYING POWER. MIS-USE COULD DAMAGE LED LIGHTS**





*Note: Repeat steps for the rear of lightbox with fabric or backing board*

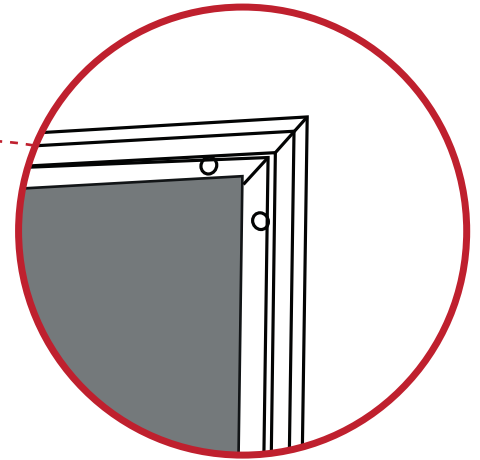
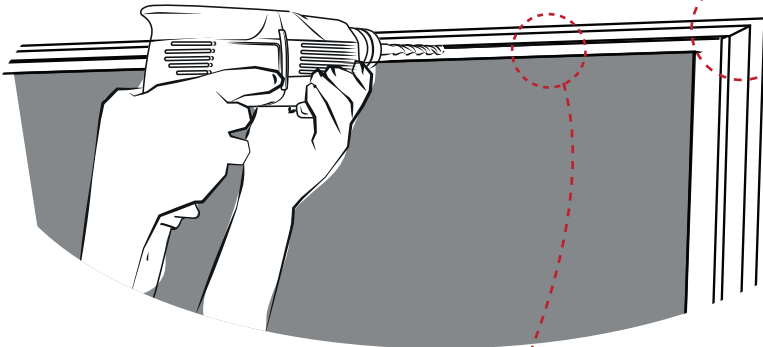


*Note: Ensure all fittings/cables are correct before connecting to power*

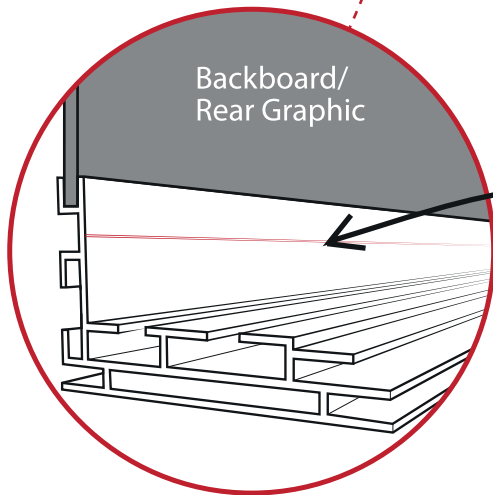
## Mounting Frame to Wall

1

Drill holes as required  
(every 1000mm)



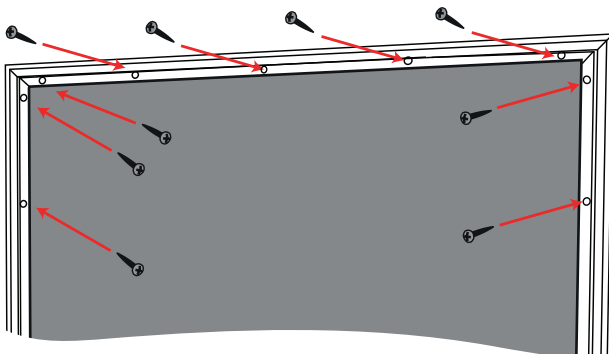
Two holes to be drilled at  
each corner of frame



Backboard/  
Rear Graphic

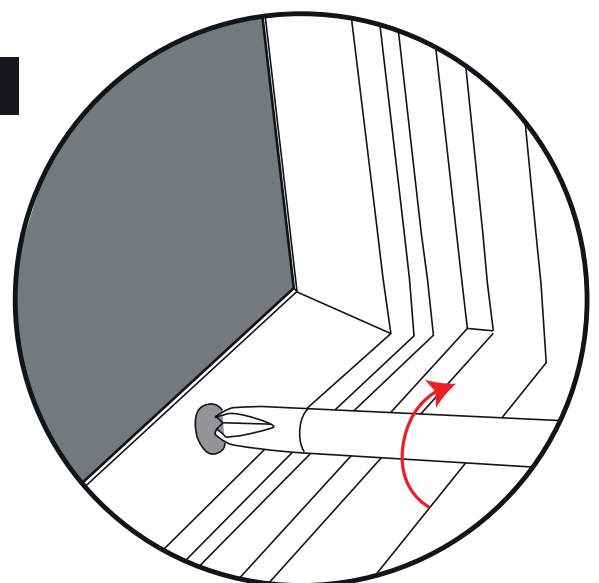
Use the "V-Groove" as a  
guide for where to drill  
the frame

2



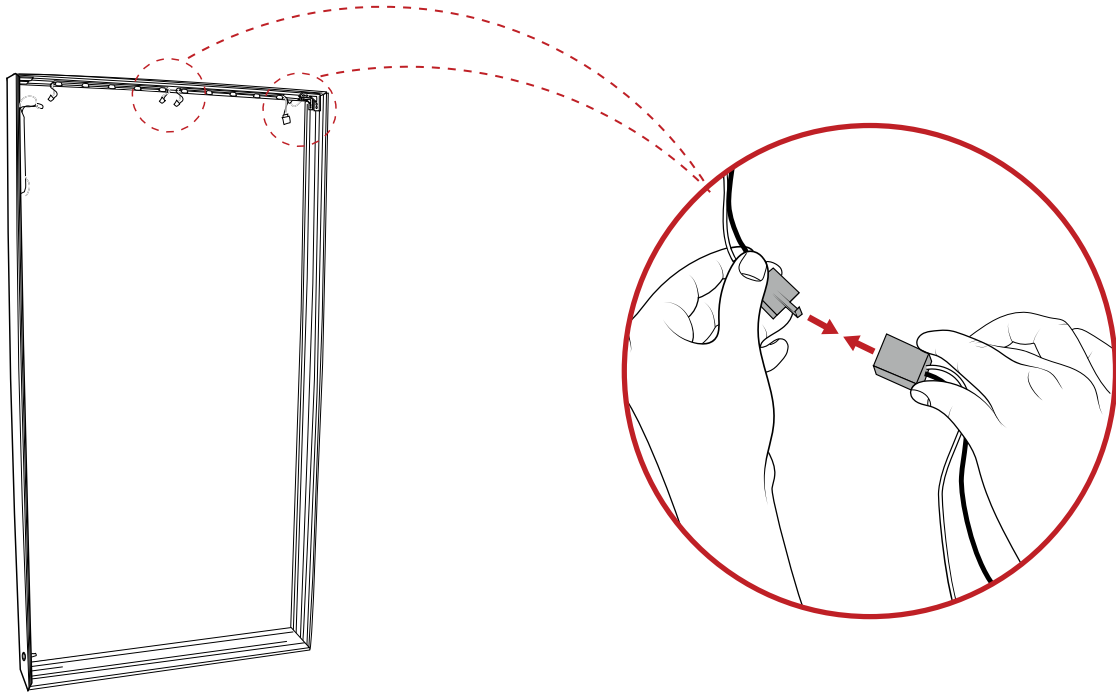
Place screws  
(not provided) into  
each of the drilled holes

3

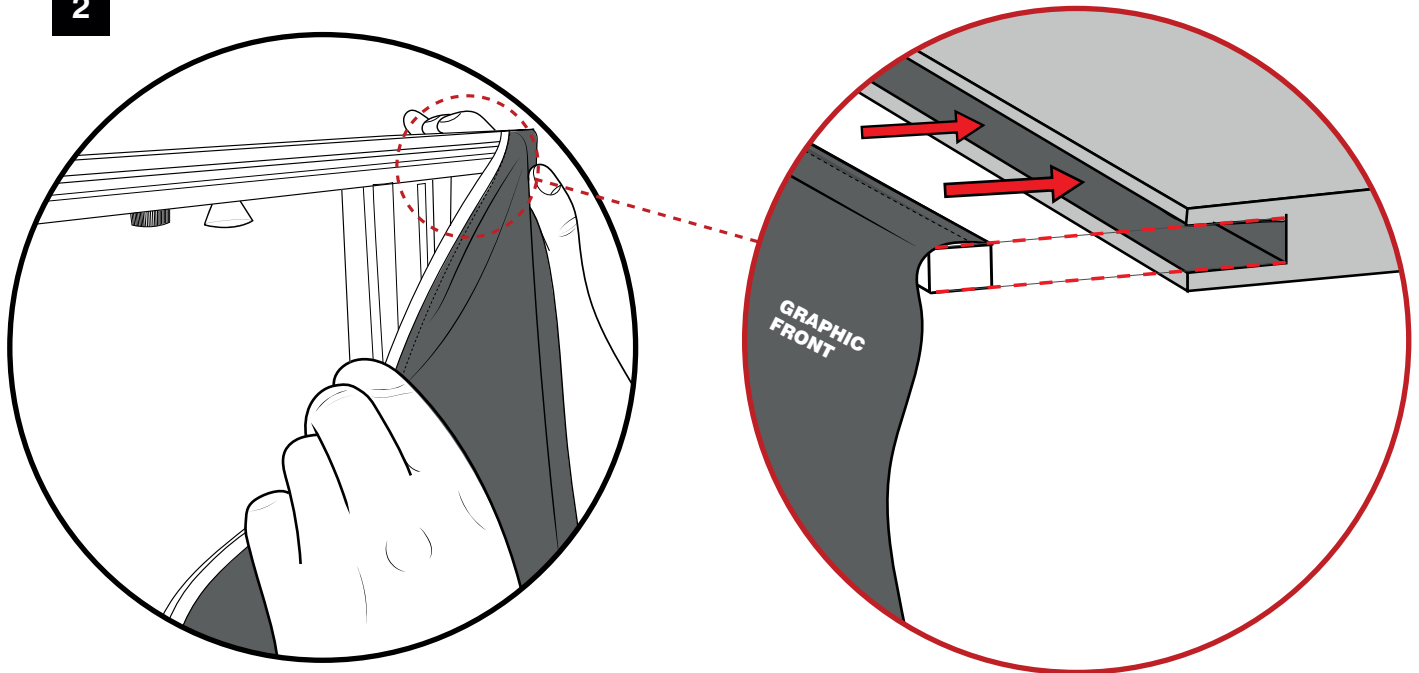


## Link up/Attaching Graphics

1



2



# Mounting Frame in Freestanding position with feet

