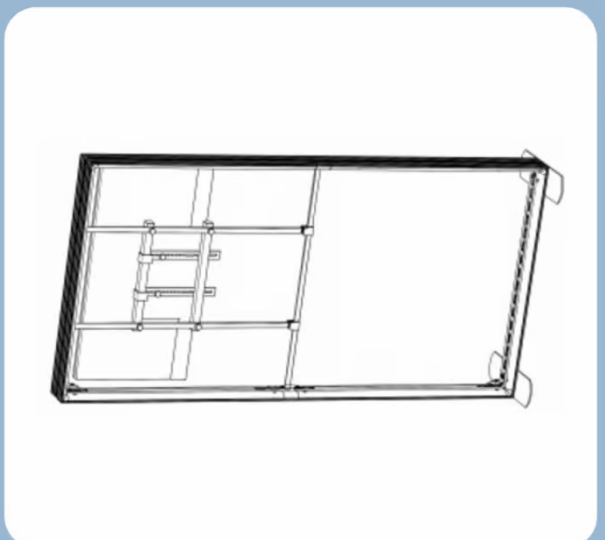
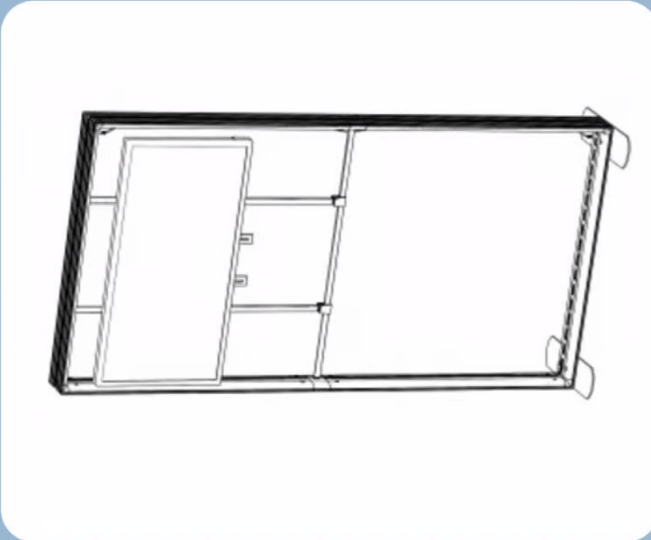


LIGHTBOX MONITOR BRACKET

ASSEMBLY STEPS



1

Slot hooks provided onto the middle bracing bar as shown.

4

Apply bars to the back of your monitor securing in place with screws, as shown.

2

Slide both aluminum arms in place and twist to lock.

5

To ensure your graphic is cut in the correct place for you monitor, measure the distance between A and b and calculate correct position. Then cut your holes.

3

Secure your monitor bars in place as shown with the thumbwheels supplied.

6

Now simply hook the monitor to the inner bars. Consider the placement of power cable as you may need to make a further hole in your graphic if preferred.